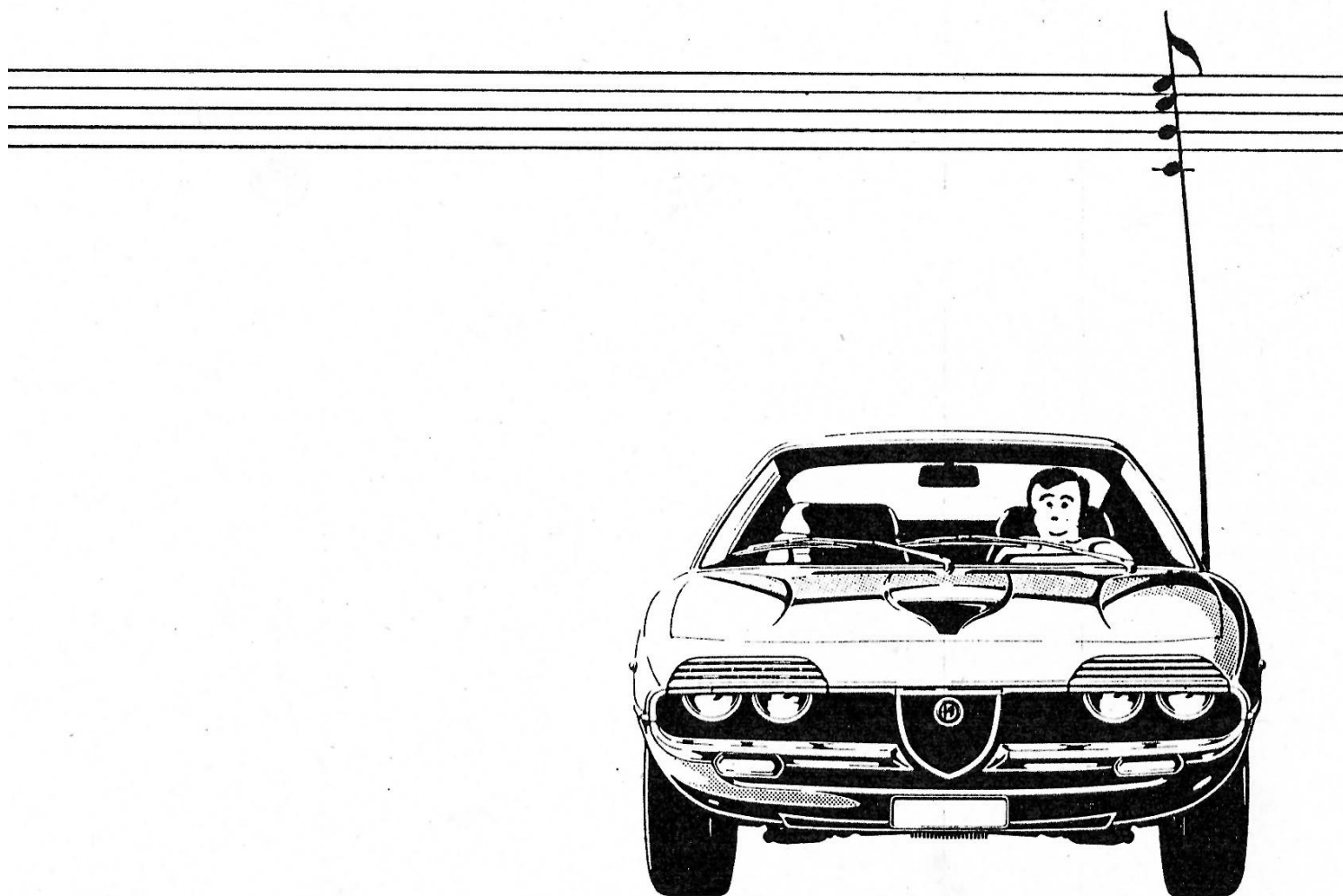


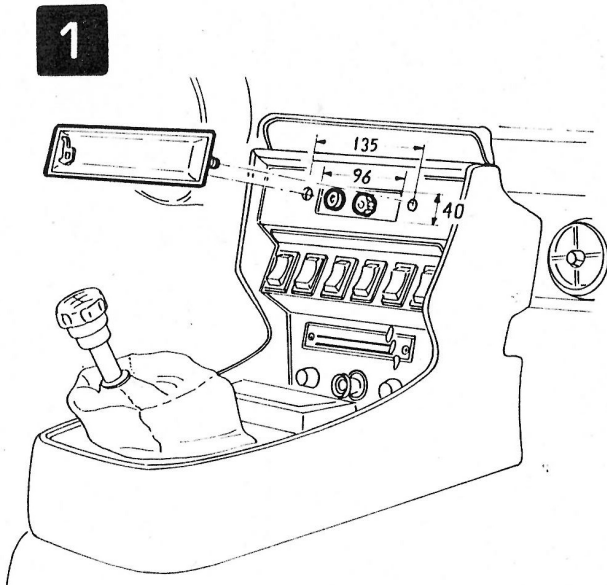


MONTEPREAL



HOW TO INSTALL THE RADIO

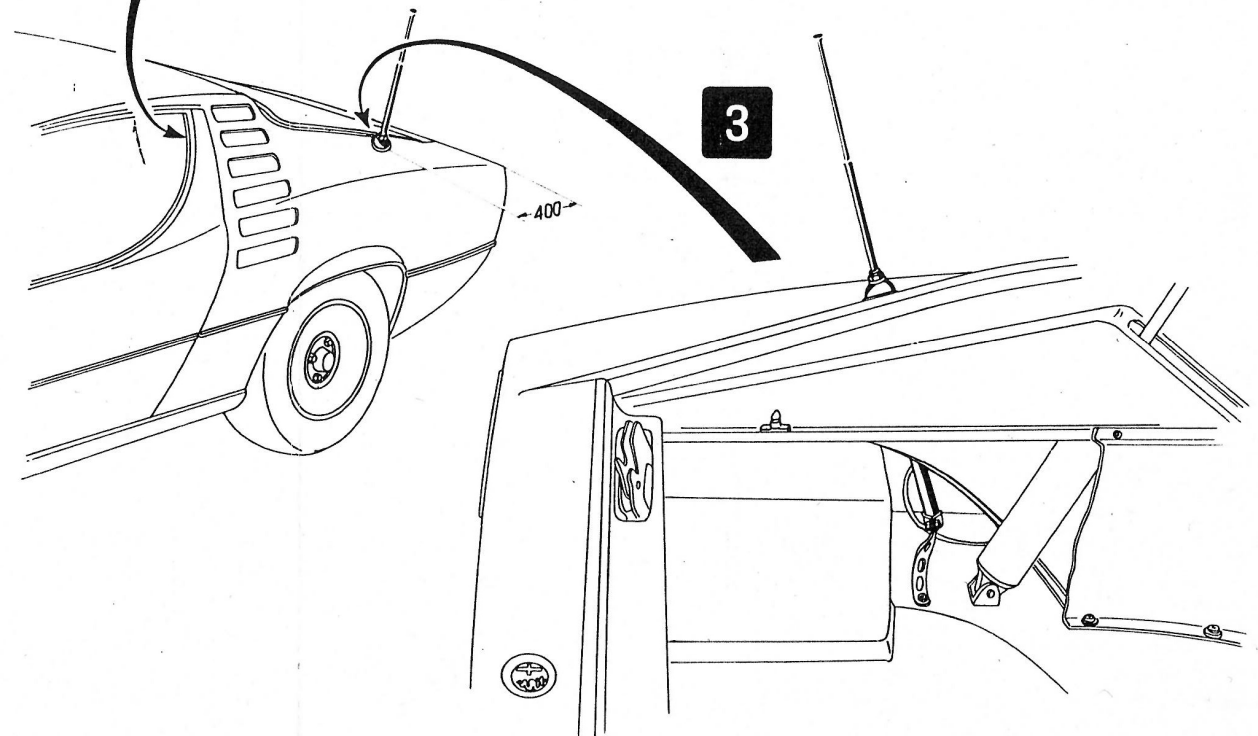
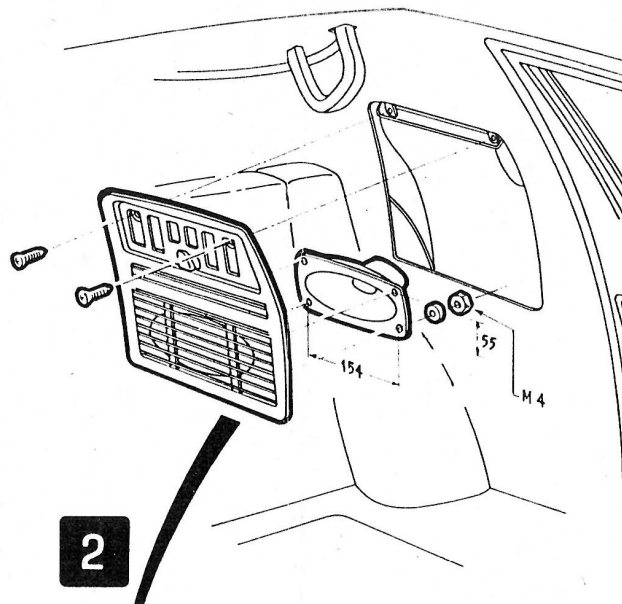
SUPPLEMENT TO INSTRUCTION BOOK



Provision is made in this model for the installation of the radio and speakers.

The installation procedure is the following:

- 1** remove the ornament from the console, and fit the radio to the opening;
- 2** mount the speakers onto the studs of the air extractor grilles; refer to figure for the dimensions. The use of « tropical » type speakers is recommended;
- 3** install the antenna at the L.H. rear wing as shown.



Against radio interference the following components should be fitted:

- 28 ohm cable for antenna extension;
- suppressor, like the Philips EN 9716 or similar, on the feed wire;
- 3 microF condenser as a replacement of the 2.2 microF condenser on the alternator.

IMPORTANT NOTE

■ The standard equipment H.V. cable have already the appropriate resistance and comply with the european standards for radio and television interference; therefore, there is no need of fitting suppressors to the spark plugs.

■ No radio noise filter must be connected to the coil terminals or the transistor control unit will be destroyed.

■ For the above mentioned reason, when performing repairs to the ignition system, such as connecting or disconnecting wires, the ignition circuit must be in off position.

Alfa Romeo

VIA GATTAMELATA 45, 20149 MILANO - Diass. Pubblicazione N° 1851 - 12/71 (1600)

Printed in Italy - GRAFARTE - stampato su carta Solex Burgo da gr. 130 al mq.

All rights reserved. This brochure or parts thereof, may not be reproduced in any form without permission of ALFA ROMEO S.p.A.